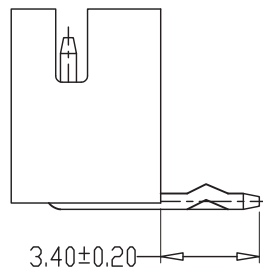
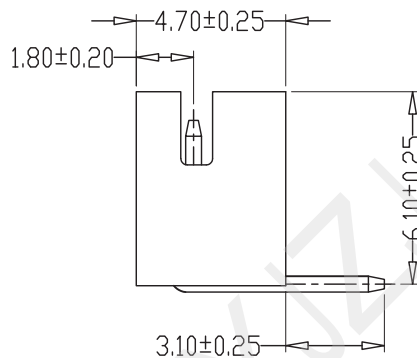
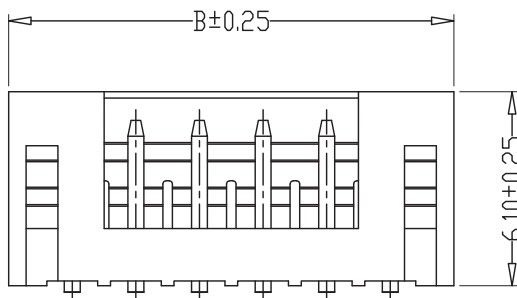


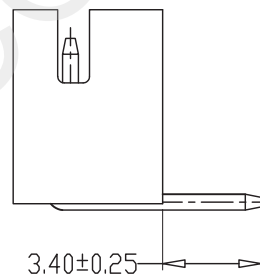
TYPE 3



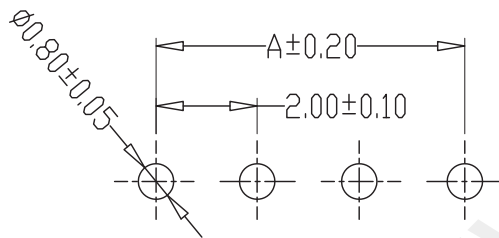
TYPE 4



TYPE 1



TYPE 2



PCB LAYOUT

SPECIFICATIONS

- 1、Current Rating: 2A AC, DC
- 2、Voltage Rating: 250V AC, DC
- 3、Temperatuer Range: -25°C ~ +85°C
- 4、Contact Resistance: 20mΩ Max
- 5、Insulation Resistance: 1000MΩ Min
- 6、Withstanding Voltang: 800V AC/minute
- 7、Material: Wafer PA66, UL94V-0
PIN Brass Tin-plated

PIN	尺寸 (mm)		
	A	B	C
02AW	2.00	6.00	5.00
03AW	4.00	8.00	7.00
04AW	6.00	10.00	9.00
05AW	8.00	12.00	11.00
06AW	10.00	14.00	13.00
07AW	12.00	16.00	15.00
08AW	14.00	18.00	17.00
09AW	16.00	20.00	19.00
10AW	18.00	22.00	21.00
11AW	20.00	24.00	23.00
12AW	22.00	26.00	25.00
13AW	24.00	28.00	27.00
14AW	26.00	30.00	29.00
15AW	28.00	32.00	31.00
16AW	30.00	34.00	33.00



深圳市华宇创精密电子有限公司

TOLERANCE:

X.X ±0.30
X.XX ±0.25
X.XXX ±0.15

X' ±2° X.X' ±0.5°



UNIT: mm [inch]

SCALE: 1:1 SIZE: A4

DRAWN BY :

陈一鸣

DATE :

2014-02-23

PART NAME:

PH 弯针

CHECKED BY :

马跃

DATE :

2014-02-23

APPROVED BY :

邱国夷

DATE :

2014-02-23

PART NO.:

HYC15-NAW-200G-X

MOLD NO.:

DRAW NO.:

HYC-2601231609

SHEET NO.:

1 OF 1